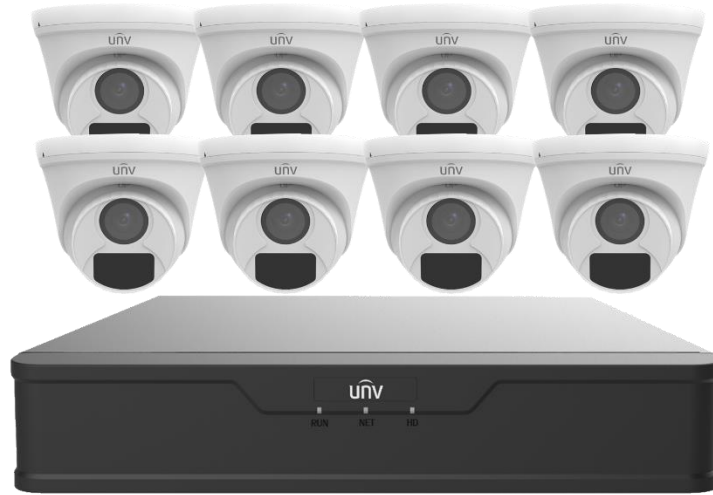


KIT/XVR301-08Q3/8*UAC-T115-F28



Key Features

XVR301-08Q3

- Support H.265/H.264 video formats
- Support TVI, AHD, CVI, CVBS, IP cameras with adaptive access
- 8-channel BNC input
- Support 1-ch CVBS output, 1-ch VGA output, 1-ch HDMI output at up to 4K(3840 x 2160)
- HDMI and VGA simultaneous output

UAC-T115-F28

- 5MP high quality image
- TVI/AHD/CVI/CVBS
- IR-cut filter with auto switch (ICR)
- Supports 180° horizontal flip, 180° vertical flip
- OSD configuration menu, easy to operate
- IP67 waterproof and dustproof design, high reliability
- OSD configuration menu in 11 languages
- 3-Axis

Specifications

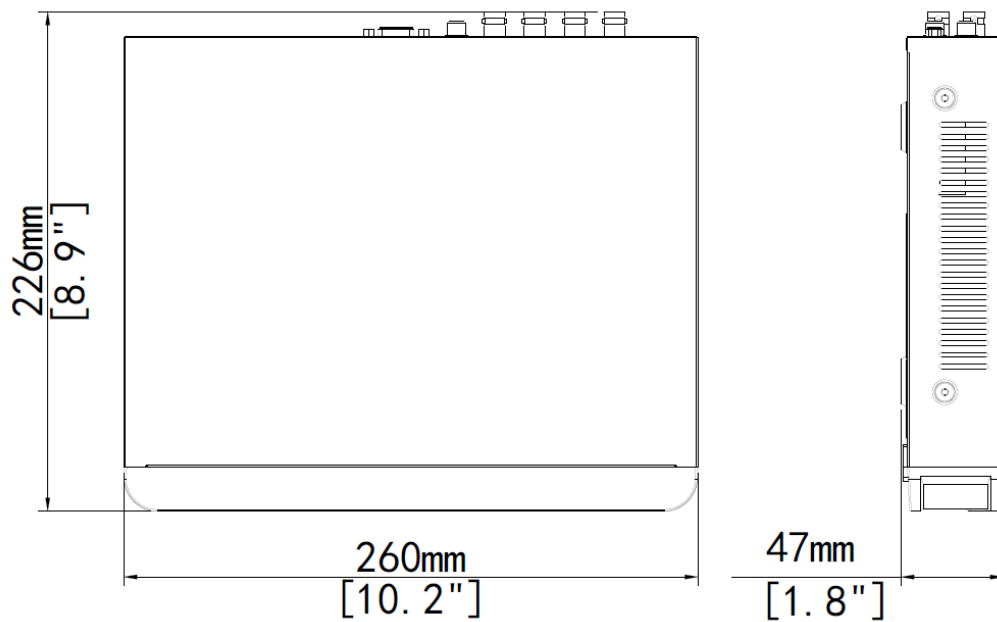
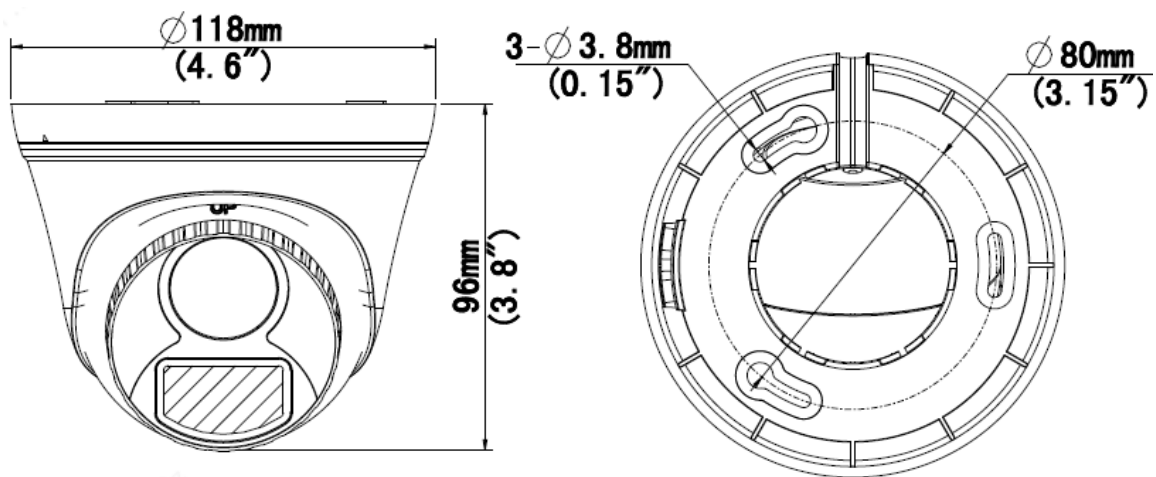
Model	XVR301-08Q3
Video/Audio Input	
Analog Video Input	8-ch, BNC
IP Video Input	4-ch(only IP up to 12ch), each channel up to 8MP
Supported Analog Camera Types	Support AHD input: 8MP@15fps 5MP@20fps 4MP@30fps 1080P@30fps 720P@30fps Support TVI input: 8MP@15fps 5MP@20fps 4MP@30fps 1080P@30fps 720P@30fps Support CVI input: 8MP@15fps 5MP@25fps 4MP@30fps 1080P@30fps 720P@30fps Support CVBS input
Audio Input	1-ch, RCA
Audio Compression	G.711U
Video/Audio Output	
CVBS Output	1-ch, BNC
VGA Output	1920x1080p/60Hz, 1920x1080p/50Hz, 1600x1200/60Hz, 1280x1024/60Hz, 1280x720/60Hz, 1024x768/60Hz
HDMI Output	3840 x 2160/30Hz, 1920x1080p/60Hz, 1920x1080p/50Hz, 1600x1200/60Hz, 1280x1024/60Hz, 1280x720/60Hz, 1024x768/60Hz
Audio Output	1-ch, RCA
Synchronous Playback	8
Live view display	HDMI/VGA: 1/4/6/8/9/16
Two-way Audio	1-ch, RCA
Snapshot	
FTP/Schedule/Event Snapshot	8-ch snapshot, up to 704*576 resolution
Network	
Incoming Bandwidth	40Mbps (Up to 56Mbps after all analog channel conversion)
Outgoing Bandwidth	64Mbps
Remote Users	128
Protocols	TCP/IP, P2P, UPnP, DHCP, HTTP, HTTPS, DNS, DDNS, SMTP
Browser	IE(IE10/11) for Windows

	Firefox (version 52.0 and above) for Windows Chrome(version 45 and above) for Windows Edge(version 79 and above) for Windows	
Encoding		
Recording Resolution	8MP Lite/5MP Lite/4MP Lite /1080P/720P/CIF	
Recording Frame Rate	Main stream	Sub stream
	8MP Lite@8fps	D1@8fps
	5MP Lite @12fps	D1@12fps
	4MP Lite@15fps	D1@15fps
	1080P@15fps	D1@15fps
	720p@30fps	D1@30fps
Audio Sample Rate	8KHz,16 bit per channel	
Audio Bit Rate	64Kbps per channel	
Decoding		
Capability	Analog: 8 x 8MP Lite@8, 8x 5MP Lite@12, 8x 4MP Lite@15, 8x 1080P@15 IP: 1 x 8MP@30, 2 x 4MP@30, 4 x 1080P@30	
Hard Disk		
SATA	1 SATA interface	
Capacity	Up to 8TB for each HDD (The maximum HDD capacity varies with environment temperature)	
Smart Alarm		
VCA Detection	Ultra Motion Detection(UMD) for analog:8-ch	
VCA Search	Behavior Search	
General Alarm		
General Alarm	Motion detection	
Alert Alarm	IP Conflict, Network Disconnected, Disk offline, Disk Abnormal, Illegal Access, Hard Disk Space Low, Hard Disk Full, Recording/Snapshot Abnormal	
External Interface		
Network Interface	1 RJ45 10M/100M self-adaptive Ethernet Interface	
USB Interface	Rear panel: 2 x USB2.0	
RS485	1	
Alarm In	4-ch	
Alarm Out	1-ch	
General		
Power Supply	12V DC Power Consumption: ≤ 10 W(without HDD)	
Working Environment	-10°C ~ + 55°C (+14°F ~ +131°F), Humidity ≤ 90% RH(non-condensing)	
Dimensions(W×D×H)	260mm ×226mm× 47mm (10.2" × 8.9"×1.8")	
Weight (without HDD)	≤1.1 Kg (2.42lb)	
Certification		
Certification	UL /CE /FCC /RoHS /WEEE	

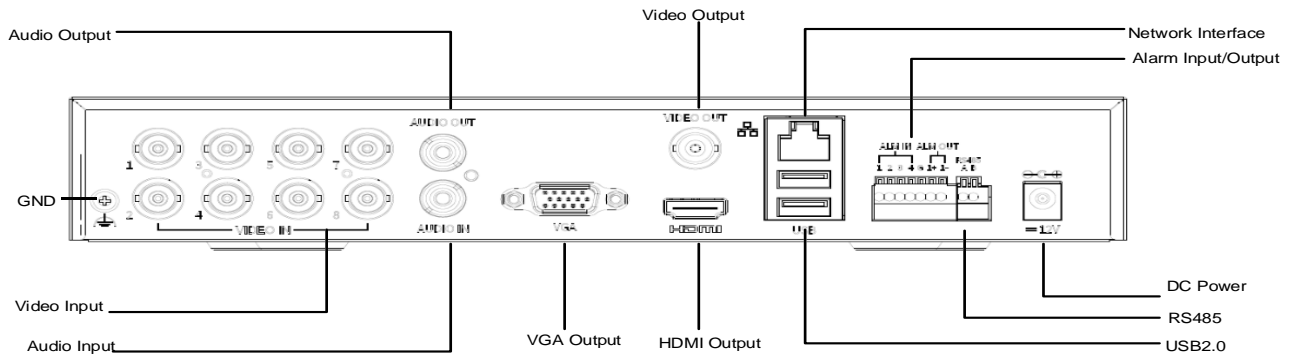
Model	UAC-T115-F28
Sensor	
Pixel	5MP
Size	1/2.7"
Minimum Illumination	0.02lux(F2.0, AGC ON) 0 lux (IR on)
Lens	
Lens	2.8mm
Lens Mount	M12
Angle of View	H: 102.2° V: 53.9° D: 124.8°
Illuminator	
Illuminator	One IR illuminator
Illumination Distance	20m
Lifetime	≥60,000 hours
Video	
Resolution	5MP@25fps: 2880(H)×1620(V); 5MP@20fps: 2592(H)×1944(V); 5MP@12.5fps: 2592(H)×1944(V) 4MP: 2560(H)×1440(V) 2MP: 1920(H)×1080(V)
Frame Rate	TVI: 5MP@20fps, 5MP@12.5fps, 4MP@30fps, 4MP@25fps, 1080P@30fps, 1080P@25fps AHD: 5MP@20fps, 4MP@30fps, 4MP@25fps, 1080P@30fps, 1080P@25fps CVI: 5MP@25fps, 4MP@30fps, 4MP@25fps, 1080P@30fps, 1080P@25fps CVBS: PAL, NTSC
Shutter Time	PAL: 1/25s-1/50000s NTSC: 1/30s-1/50000s
Image	
Exposure Mode	4 modes: Global (default), BLC, HLC, DWDR
Day/Night	3 modes: Auto (default), Day, Night
Digital Noise Reduction	2D
White Balance	Two modes: Auto (default), Manual
WDR	DWDR
Smart IR	Support
Flip	Supports 180° horizontal flip, 180° vertical flip.
Interface	
Power	5.5mm power interface
Video Output	BNC, supports TVI/AHD/CVI/CVBS
Operating environment	
Temperature	-30°C to 60°C(-22°F to 140°F)
Humidity	≤95% (RH, non-condensing)
Surge Protection	4KV
Ingress Protection	IP67
General	
Power	DC 12V(±25%), with reverse polarity protection and surge protection, Max 3.6W

Mount	Ceiling mount (default), optional backbox, wall mount bracket
Dimensions	Φ118mm*96mm (diameter*height)
Material	Plastic
Weight	182g(0.401lb)
Certification	CB, CE, FCC

Dimensions



Rear Panel



Zhejiang Uniview Technologies Co., Ltd.

No. 369, Xietong Road, Xixing Sub-district, Binjiang District, Hangzhou City, Zhejiang Province, China

Email: overseasbusiness@uniview.com; globalsupport@uniview.com

<http://www.uniview.com>

©2023 Zhejiang Uniview Technologies Co., Ltd. All rights reserved.

* Product specifications and availability are subject to change without notice.